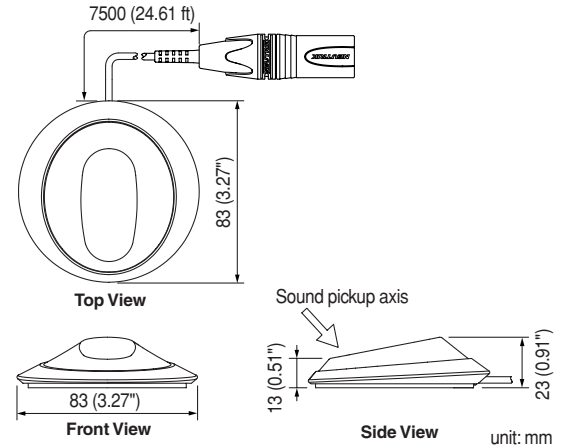


# EM-700 Boundary Microphone



## APPEARANCE AND DIMENSIONAL DIAGRAM

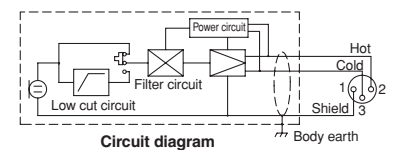
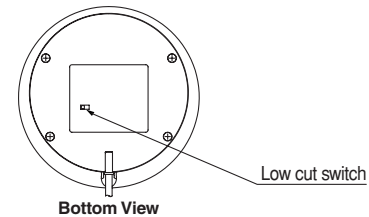


## DESCRIPTION

The TOA EM-700 features an unobtrusive, low-profile design that has been optimized to deliver optimal performance when used on a desk-top surface. A low-cut filter switch is included to prevent low-frequency ambient noise surrounding the desk from being picked up. It is ideal for speech and recording applications, such as at meetings, lectures, and religious services. The EM-700's electret condenser microphone element has a cardioid pickup pattern with a high degree of sensitivity, as well as off-axis undesirable sound rejection that minimizes potential feedback. High-frequency response is excellent, for clear audio output even when broadcasting through a PA system.

## FEATURES

- Ideal for speech and recording applications at meetings, lectures, and religious services.
- Electret condenser microphone element with cardioid pattern for focused pickup.
- Design, optimized to deliver best performance when used on a desk.
- Slim, stylish design suits interior decor.
- Rejection of undesirable off-axis sound minimizes possible feedback.
- Low-cut filter switch prevents interference from ambient noise from being picked up.
- Wide frequency range of 35 – 20 kHz provides well-balanced sound with clarity and a satisfying tonal response.
- Phantom power range of 9 to 52 volts enhances operational versatility.

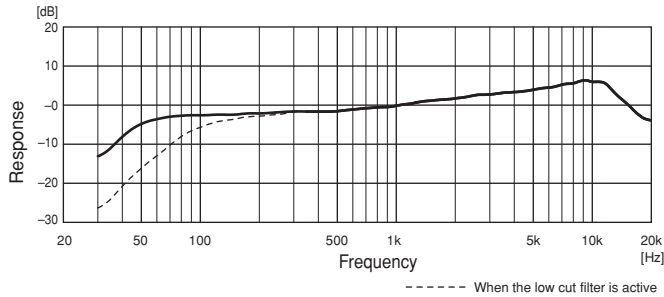


## SPECIFICATIONS

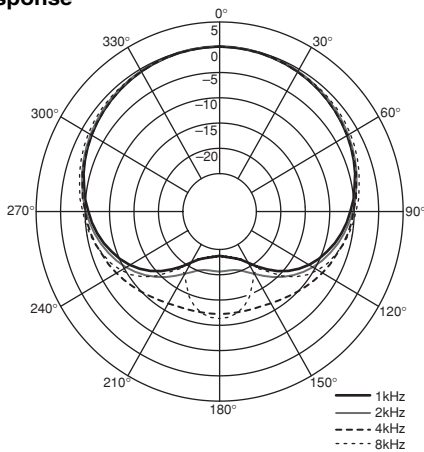
<b>Element</b>	Electret condenser
<b>Polar Pattern</b>	Cardioid
<b>Rated Impedance</b>	120 Ω, balanced
<b>Rated Sensitivity</b>	-33 dB (1k Hz 0 dB = 1 V/Pa)
<b>Phantom Power</b>	9 – 52 V DC
<b>Frequency Response</b>	35 Hz – 20k Hz
<b>Low Cut</b>	100 Hz, -12 dB/oct
<b>Output Connector</b>	XLR-3-12 equivalent
<b>Cable Length</b>	7.5m (24.61 ft)
<b>Operating Temperature</b>	0°C to +40°C (32°F to 104°F)
<b>Finish</b>	Body: Die-cast aluminum, black, mat finish, paint Punched net: Surface-treated steel plate, black, mat finish, paint
<b>Dimensions</b>	83 (W) × 23 (H) × 83 (D)mm (3.27" × 0.91" × 3.27") (cord excluded)
<b>Weight</b>	290g (0.64 lb)

## CHARACTERISTIC DIAGRAMS

**Frequency Response (1W/1m)**



**Polar Response**



## ARCHITECTURAL AND ENGINEERING SPECIFICATIONS

The low-profile boundary microphone shall be designed to be placed on a flat surface for sound pick-up applications, and have an electret condenser microphone element with a cardioid polar pattern that rejects off-axis sound, for focused pickup. Frequency response shall be 35 Hz to 20 kHz. Rated impedance shall be 120 Ω, balanced, and rated sensitivity shall be -33 dB (1 kHz 0 dB=1 V/Pa). A low cut filter switch (100 Hz, -12 dB/oct) shall minimize ambient noise interference. The microphone shall be powered by any phantom power source supplying 9 – 52 volts.

The output connector shall be XLR-3-12 equivalent, and cable length shall be 7.5 m (24.61 ft). Operating temperature shall be 0° C to +40° C (32° F to 104° F). Body finish shall be die-cast aluminum, and punched net surface-treated shall be steel plate, both with black matte-finish paint. Dimensions shall be 83 (W) × 23 (H) × 83(D) mm (3.27" × 0.91" × 3.27") (excluding cord), and weight shall be 290 g (0.64 lb). The microphone shall provide pure, natural sound quality, and be ideally suitable for installation on a lecture desk or meeting room table-top.

The boundary microphone shall be TOA model EM-700.